

SLIEVE

Slieve combines designer style with exceptionally high heat outputs. Available in horizontal and vertical models, Slieve complements a range of interiors without compromising on performance.

Horizontal

- Available in five heights
- Available in ten lengths
- Available in 5 options

Vertical

- Available in three heights
- Available in nine widths
- Available in single or double panel options

For more information see page 13.

Features

- Durable powder coated in white RAL 9016 paint for a brighter, whiter finish
- Available in our 9 classic colours and in a large range of RAL colours - see pages 6-7
- Full 10-year warranty
- Manufactured and tested to BS EN 442

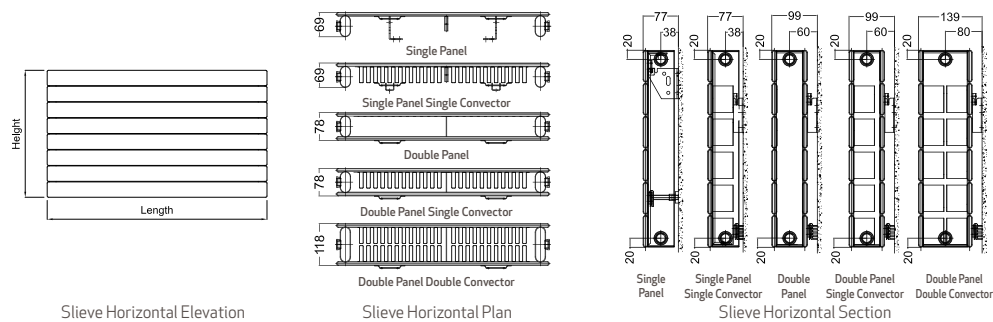


Slieve horizontal in bronze

Slieve Actual Dimensions

Slieve Horizontal - Single Panel & Single Panel Single Convector				
Radiator height (mm)	433	505	578	723
Water content (L/m)	4.01	4.8	5.61	6.84
Fin height (mm)	360	433	505	650

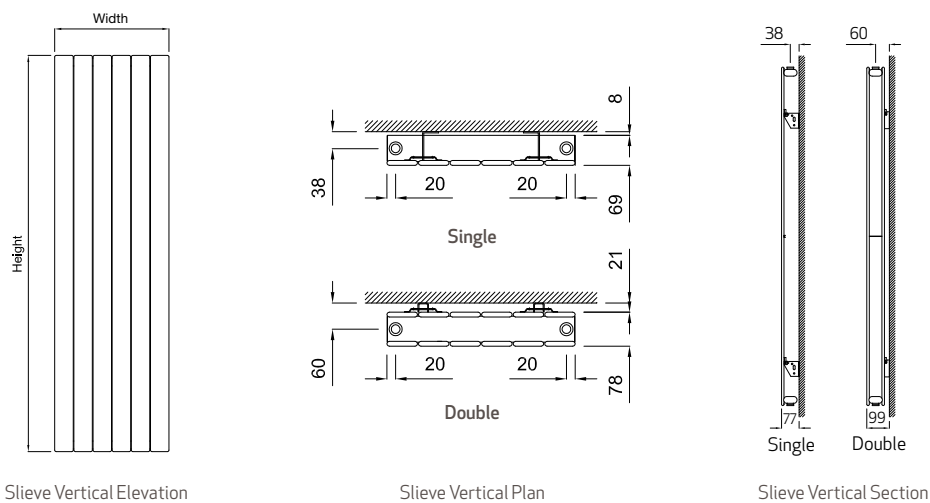
Slieve Horizontal - Double Panel (DP), Double Panel Single Convector (DP SC) & Double Panel Double Convector (DP DC)					
Radiator height (mm)	288	433	505	578	723
Water content (L/m): DP & DP SC	4.67	6.31	7.80	9.31	12.04
Water content (L/m): DP DC	4.90	7.31	8.50	9.71	12.21
Fin height (mm)	288	360	433	505	650



Note: the distance between the connection centres equals the length of radiator.

Slieve Vertical - Single Panel			
Radiator height (mm)	1600	1800	2000
Water content per element/tube (L)	0.95	1.03	1.16

Slieve Vertical - Double Panel			
Radiator height (mm)	1600	1800	2000
Water content per element/tube (L)	1.89	2.13	2.36



Vertical Slieves have a factory fitted centre baffle as standard in the bottom header for Bottom Opposite End (BOE) installation only. Horizontal Slieves are supplied without baffles and cannot be installed Top Bottom Same End (TBSE).

All Slieve Radiators: Test Pressure: 5.2 bar Max Operating Pressure: 4 bar