



*Verified by EST: heat output at $\Delta T50^{\circ}\text{C}$ and 30°C for Hi-Lo T11 and T22 Compact radiators (size: 600x1000mm), compared to the main market competitors. Using British Standard testing data from EN 442-1:2014 standard. Correct as of July 2016 and valid until July 2018.



All Type 11, 21 and 22 are held in stock. Type 33 are available on a 3 week lead time.

HI-LO COMPACT

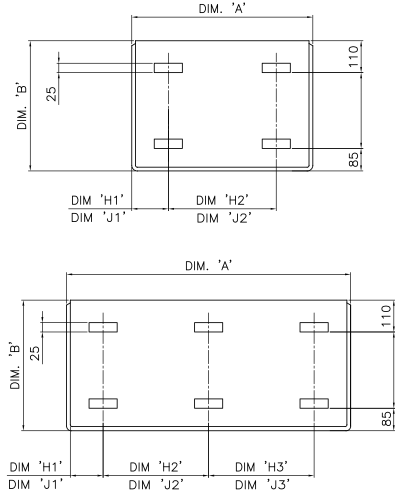
Boasting the same cutting-edge technology as our Hi-Lo Round Top model, the Hi-Lo Compact comes with pre-fitted grilles and side panels for customers who prefer a more traditional radiator look.

- Highest heat output (per square metre) - up to 18%* higher than competitor radiators of the same size
- Lowest water content for fastest heat up time*
- Unique C-Clip locking mechanism to secure side panels and grille in place
- Finished with durable epoxy polyester powder paint in white RAL9016
- Manufactured and tested in accordance with EN442
- Full 10-year warranty

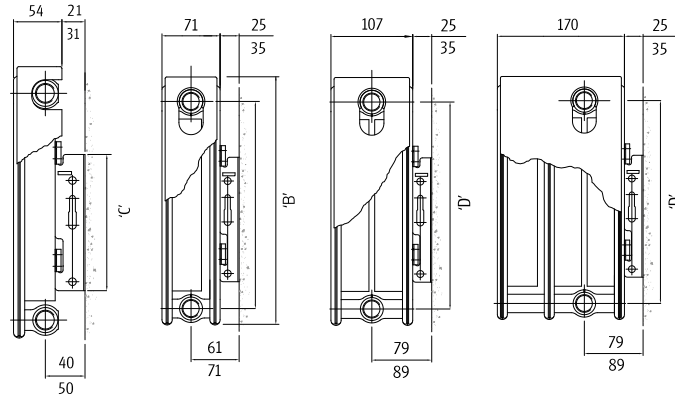
Available in a large variety of sizes and styles - single panel single convactor (T11), double panel plus (T21), double panel double convactor (T22) and triple panel triple convactor (T33).

HI-LO COMPACT

Bracket Lug Location



Mounting Details



Single Convector T11 Double Panel Plus T21 Double Convector T22 Triple Convector T33

Note: Dimensions H1, H2 and H3 refer to the lugs on Double Panel Plus and Double Convector radiators. Dimensions J1, J2 and J3 refer to the lugs on Single Convector Radiators.

Mounting Details (mm)					
Radiator height 'B'	300	400	500	600	700
Bracket height 'C'	137	237	337	437	537
Connection centre 'D'	253	353	453	553	653

Bracket Lug Locations (mm)																
Radiator length	300	400	500	600	700	800	900	1000	1100	1200	1300	1400	1500	1600	1800	2000
Tapping-to-tapping 'A'	295	395	495	595	695	795	895	995	1095	1195	1295	1395	1495	1595	1795	1995
H1	72.5	122.5	122.5	122.5	122.5	122.5	122.5	122.5	122.5	122.5	122.5	122.5	122.5	122.5	122.5	122.5
J1	85	135	160	160	160	160	160	160	160	160	160	160	160	160	160	160
H2	150	150	250	350	450	550	650	750	850	950	1050	1150	1250	1350	775	875
J2	125	125	175	275	375	475	575	675	775	875	975	1075	1175	1275	750	850
H3															775	875
J3															725	825
Quantity	4	4	4	4	4	4	4	4	4	4	4	4	4	4	6	6

Water Content					
Height	300mm	400mm	500mm	600mm	700mm
L/m					
Single Convector	1.81	2.24	2.67	3.10	3.53
Double Panel Plus	3.60	4.47	5.33	6.20	7.07
Double Convector	3.50	4.37	5.23	6.10	7.00
Triple Convector	5.40	6.60	7.80	9.00	10.38

Radiator Dry Weight					
Height	300mm	400mm	500mm	600mm	700mm
kg/m					
Single Convector	9.50	12.52	15.54	18.56	21.58
Double Panel Plus	16.00	19.92	24.74	29.56	34.38
Double Convector	18.04	24.00	29.97	35.93	41.90
Triple Convector	26.94	35.89	44.84	53.79	62.74

Test pressure: 13 bar

Max. operating pressure: 10 bar