

# COMPLA HORIZONTAL

---

Compla Horizontal is a premium panel radiator. Stylish and modern, with the technological benefits of the Hi-Lo Compact, gives the perfect combination of design appearance and performance.

## Features

- Available in four heights 400mm, 500mm, 600mm and 700mm
- Available in nine lengths from 400mm to 2000mm
- Available as single panel single convector, double panel single convector, double panel double convector
- Durable powder coated in white RAL 9016 paint for a brighter, whiter finish
- Manufactured and tested to BS EN 442
- Full 10-year warranty



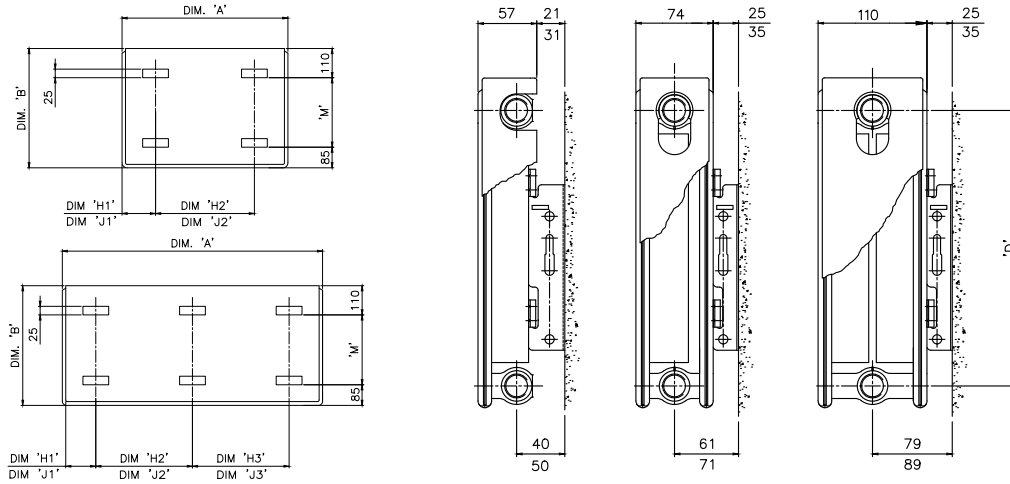
Products available in white RAL 9016 only.



Compla Horizontal in white RAL 9016

# Compla Horizontal Actual Dimensions

## Mounting Details



**Note:** Dimensions H1, H2 and H3 refer to the lugs on double panel plus and double convector radiators. Dimensions J1, J2 and J3 refer to the lugs on single convector radiators.

Single Convector

Double Panel Single Convector

Double Panel Double Convector

Mounting Details				
Radiator height 'B' (mm)	400	500	600	700
Bracket lug height 'M' (mm)	205	305	405	505
Connection centre 'D' (mm)	353	453	553	653

Bracket Lug Locations									
Radiator length (mm)	400	600	800	1000	1200	1400	1600	1800	2000
A	395	595	795	995	1195	1395	1595	1795	1995
H1	122.5	122.5	122.5	122.5	122.5	122.5	122.5	122.5	122.5
J1	135	160	160	160	160	160	160	160	160
H2	150	350	550	750	950	1150	1350	775	875
J2	125	275	475	675	875	1075	1275	750	850
H3								775	875
J3								725	825
Qty	4	4	4	4	4	4	4	6	6

Water Content				
Height	400mm (16")	500mm (20")	600mm (24")	700mm (28")
(L/m)				
Single convector	2.10	2.62	3.14	3.67
Double panel single convector	4.09	5.09	6.10	7.12
Double convector	4.07	5.08	6.10	7.12

Radiator Dry Weight				
Height	400mm (16")	500mm (20")	600mm (24")	700mm (28")
(kg/m)				
Single convector	14.88	18.40	21.93	25.88
Double panel single convector	22.37	27.66	32.95	38.47
Double convector	26.10	32.55	39.00	45.45

All Compla Horizontal Radiators: Test Pressure: 13 bar Max Operating Pressure: 10 bar