



HI-LO ROUND TOP



All product codes are available from stock.



*Verified by EST: heat output at $\Delta T 50^{\circ}\text{C}$ and 30°C for QRL T11 and T22 Round Top radiators (size: 600x1000mm), compared to the main market competitors. Using British Standard testing data from EN 442-1:2014 standard. Correct as of July 2016 and valid until July 2018.

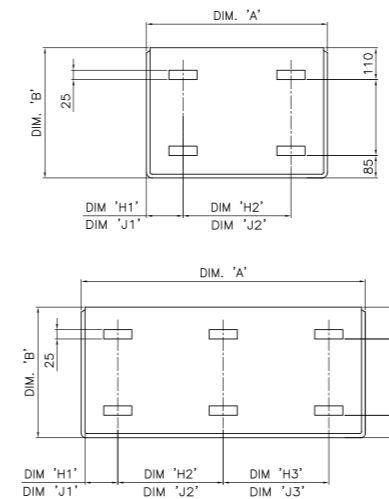
The Hi-Lo Round Top is our signature product. Engineered by QRL experts and featuring our unique third-generation technology, it is the better choice for performance, quality and durability on the market today.

- Highest heat output (per square metre) - up to 10%* higher than competitor radiators of the same size
- Lowest water content (L/kW) for the best dynamic response on the market
- Best choice with low temperature heat sources such as heat pumps
- Finished with durable epoxy polyester powder paint in white RAL9016
- Manufactured and tested in accordance with EN442
- Full 10-year warranty

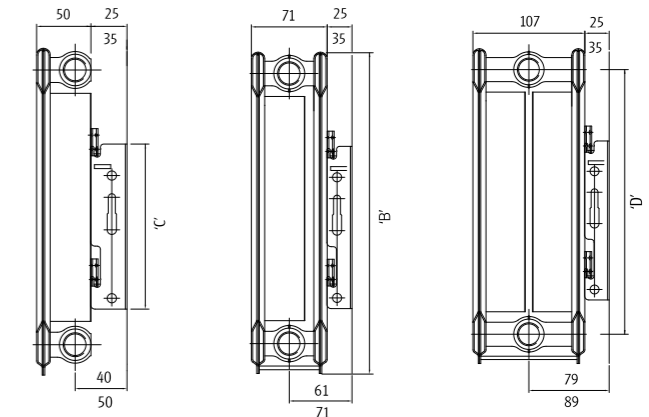
Available in a large variety of sizes and styles - single panel single convector (T11), double panel plus (T21), double panel double convector (T22).



Bracket Lug Location



Mounting Details



Note: Dimensions H1, H2 and H3 refer to the lugs on Double Panel Plus and Double Convector radiators. Dimensions J1, J2 and J3 refer to the lugs on Single Convector Radiators.

Mounting Details (mm)					
Radiator height 'B'	300	400	500	600	700
Bracket height 'C'	137	237	337	437	537
Connection centre 'D'	253	353	453	553	653

Bracket Lug Locations (mm)																
Radiator length	300	400	500	600	700	800	900	1000	1100	1200	1300	1400	1500	1600	1800	2000
Tapping-to-tapping 'A'	295	395	495	595	695	795	895	995	1095	1195	1295	1395	1495	1595	1795	1995
H1	72.5	122.5	122.5	122.5	122.5	122.5	122.5	122.5	122.5	122.5	122.5	122.5	122.5	122.5	122.5	122.5
J1	85	135	160	160	160	160	160	160	160	160	160	160	160	160	160	160
H2	150	150	250	350	450	550	650	750	850	950	1050	1150	1250	1350	775	875
J2	125	125	175	275	375	475	575	675	775	875	975	1075	1175	1275	750	850
H3															775	875
J3															725	825
Quantity	4	4	4	4	4	4	4	4	4	4	4	4	4	4	6	6

Water Content					
Height	300mm	400mm	500mm	600mm	700mm
	L/m				
Single Convector	1.81	2.24	2.67	3.10	3.53
Double Panel Plus	3.60	4.47	5.33	6.20	7.07
Double Convector	3.50	4.37	5.23	6.10	7.00

Radiator Dry Weight					
Height	300mm	400mm	500mm	600mm	700mm
	kg/m				
Single Convector	8.53	11.44	14.35	17.27	20.16
Double Panel Plus	14.90	19.04	23.75	28.47	33.18
Double Convector	16.92	22.73	28.55	34.36	40.18

Test pressure: 13 bar

Max. operating pressure: 10 bar



Nominal Height	Length		Single Convector			Double Panel Plus			Double Convector					
	mm	inch	Code	Watts	BTU/hr	List Price	Code	Watts	BTU/hr	List Price	Code	Watts	BTU/hr	List Price
300mm 12"	400	16	Q11304RT	226	770	£99.16	Q21304RT	339	1156	£140.19	Q22304RT	446	1522	£141.58
	500	20	Q11305RT	282	962	£86.26	Q21305RT	424	1445	£126.77	Q22305RT	558	1903	£129.30
	600	24	Q11306RT	338	1155	£83.20	Q21306RT	508	1734	£119.81	Q22306RT	669	2283	£123.40
	700	28	Q11307RT	395	1347	£111.70	Q21307RT	593	2024	£140.16	Q22307RT	781	2664	£149.58
	800	31	Q11308RT	451	1540	£120.66	Q21308RT	678	2313	£118.90	Q22308RT	892	3044	£162.39
	900	35	Q11309RT	508	1732	£127.68	Q21309RT	762	2602	£185.15	Q22309RT	1004	3425	£184.47
	1000	39	Q11310RT	564	1925	£132.77	Q21310RT	847	2891	£194.41	Q22310RT	1115	3805	£200.23
	1100	43	Q11311RT	620	2117	£147.28	Q21311RT	932	3180	£214.17	Q22311RT	1227	4186	£228.31
	1200	47	Q11312RT	677	2310	£157.58	Q21312RT	1016	3469	£224.86	Q22312RT	1338	4567	£240.59
	1400	55	Q11314RT	790	2695	£192.57	Q21314RT	1186	4047	£268.88	Q22314RT	1561	5328	£290.38
1600	63	Q11316RT	902	3080	£207.34	Q21316RT	1355	4625	£329.43	Q22316RT	1784	6089	£362.37	
1800	71	Q11318RT	1015	3645	£241.77	Q21318RT	1525	5203	£229.13	Q22318RT	2007	6850	£406.76	

Nominal Height	Length		Single Convector			Double Panel Plus			Double Convector					
	mm	inch	Code	Watts	BTU/hr	List Price	Code	Watts	BTU/hr	List Price	Code	Watts	BTU/hr	List Price
400mm 16"	400	16	Q11404RT	293	1001	£55.77	Q21404RT	427	1457	£91.86	Q22404RT	562	1919	£94.25
	500	20	Q11405RT	367	1251	£60.40	Q21405RT	534	1821	£94.40	Q22405RT	703	2399	£95.08
	600	24	Q11406RT	440	1501	£72.23	Q21406RT	640	2185	£110.42	Q22406RT	844	2879	£127.00
	700	28	Q11407RT	513	1751	£84.35	Q21407RT	747	2549	£129.09	Q22407RT	984	3358	£137.12
	800	31	Q11408RT	586	2001	£96.50	Q21408RT	854	2913	£147.00	Q22408RT	1125	3839	£147.62
	900	35	Q11409RT	660	2252	£105.20	Q21409RT	960	3278	£154.66	Q22409RT	1265	4319	£166.32
	1000	39	Q11410RT	733	2502	£110.80	Q21410RT	1067	3642	£162.84	Q22410RT	1406	4799	£184.90
	1100	43	Q11411RT	806	2752	£119.65	Q21411RT	1174	4006	£178.93	Q22411RT	1547	5279	£203.49
	1200	47	Q11412RT	880	3002	£128.42	Q21412RT	1280	4370	£194.95	Q22412RT	1687	5758	£222.10
	1400	55	Q11414RT	1026	3502	£152.82	Q21414RT	1494	5098	£234.46	Q22414RT	1968	6718	£268.88
1600	63	Q11416RT	1173	4003	£190.18	Q21416RT	1707	5827	£291.70	Q22416RT	2250	7678	£334.57	
1800	71	Q11418RT	1319	4503	£214.19	Q21418RT	1921	6555	£328.51	Q22418RT	2531	8638	£376.61	
2000	79	Q11420RT	1466	5003	£244.45	-	-	-	-	Q22420RT	2812	9597	£429.89	

Nominal Height	Length		Single Convector			Double Panel Plus			Double Convector					
	mm	inch	Code	Watts	BTU/hr	List Price	Code	Watts	BTU/hr	List Price	Code	Watts	BTU/hr	List Price
500mm 20"	300	12	Q11503RT	267	911	£59.81	Q21503RT	381	1300	£95.95	Q22503RT	504	1721	£99.91
	400	16	Q11504RT	356	1215	£54.64	Q21504RT	508	1734	£88.29	Q22504RT	672	2295	£92.14
	500	20	Q11505RT	445	1519	£62.15	Q21505RT	635	2167	£92.69	Q22505RT	841	2869	£109.02
	600	24	Q11506RT	534	1823	£74.79	Q21506RT	762	2601	£111.54	Q22506RT	1009	3442	£131.10
	700	28	Q11507RT	623	2126	£87.30	Q21507RT	889	3034	£130.37	Q22507RT	1177	4016	£153.23
	800	31	Q11508RT	712	2430	£99.94	Q21508RT	1016	3468	£148.50	Q22508RT	1345	4590	£168.13
	900	35	Q11509RT	801	2734	£112.54	Q21509RT	1143	3901	£161.45	Q22509RT	1513	5164	£189.34
	1000	39	Q11510RT	890	3038	£125.16	Q21510RT	1270	4335	£179.45	Q22510RT	1681	5737	£210.52
	1100	43	Q11511RT	979	3341	£135.40	Q21511RT	1397	4768	£197.55	Q22511RT	1849	6311	£231.71
	1200	47	Q11512RT	1068	3645	£145.62	Q21512RT	1524	5201	£215.65	Q22512RT	2017	6885	£252.93
	1300	51	Q11513RT	1157	3949	£159.46	-	-	-	-	Q22513RT	2185	7458	£276.96
	1400	55	Q11514RT	1246	4253	£174.38	Q21514RT	1778	6068	£261.02	Q22514RT	2353	8032	£306.12
	1500	59	Q11515RT	1335	4556	£195.96	-	-	-	-	Q22515RT	2522	8606	£345.70
	1600	63	Q11516RT	1424	4860	£217.04	Q21516RT	2032	6935	£324.78	Q22516RT	2690	9180	£380.99
	1800	71	Q11518RT	1602	5468	£244.26	Q21518RT	2286	7802	£365.54	Q22518RT	3026	10327	£428.80
	2000	79	Q11520RT	1780	6075	£278.84	-	-	-	-	Q22520RT	3362	11475	£482.63

All outputs quoted are based on a Δ T of 50°C. List price excludes VAT. Product codes in bold are available from stock.



Nominal Height	Length		Single Convector			Double Panel Plus			Double Convector					
	mm	inch	Code	Watts	BTU/hr	List Price	Code	Watts	BTU/hr	List Price	Code	Watts	BTU/hr	List Price
600mm 24"	300	12	Q11603RT	311	1061	£61.09	Q21603RT	438	1495	£99.97	Q22603RT	583	1989	£100.96
	400	16	Q11604RT	414	1414	£63.42	Q21604RT	584	1993	£97.66	Q22604RT	777	2653	£105.67
	500	20	Q11605RT	518	1768	£68.65	Q21605RT	730	2491	£101.19	Q22605RT	972	3316	£114.14
	600	24	Q11606RT	622	2122	£82.56	Q21606RT	876	2990	£121.73	Q22606RT	1166	3979	£137.27
	700	28	Q11607RT	725	2475	£96.54	Q21607RT	1022	3488	£142.24	Q22607RT	1360	4642	£160.42
	800	31	Q11608RT	829	2829	£110.44	Q21608RT	1168	3986	£162.70	Q22608RT	1554	5305	£183.54
	900	35	Q11609RT	932	3182	£124.37	Q21609RT	1314	4485	£178.47	Q22609RT	1749	5968	£198.59
	1000	39	Q11610RT	1036	3536	£138.18	Q21610RT	1460	4983	£195.83	Q22610RT	1943	6631	£220.35
	1100	43	Q11611RT	1140	3889	£151.73	Q21611RT	1606	5481	£215.56	Q22611RT	2137	7295	£242.56
	1200	47	Q11612RT	1243	4243	£163.41	Q21612RT	1752	5980	£235.30	Q22612RT	2332	7958	£264.74
	1300	51	Q11613RT	1347	4597	£178.12	-	-	-	-	Q22613RT	2526	8621	£291.20
	1400	55	Q11614RT	1450	4950	£192.72	Q21614RT	2044	6976	£284.74	Q22614RT	2720	9284	£320.44
	1500	59	Q11615RT	1554	5304	£225.64	-	-	-	-	Q22615RT	2915	9947	£346.28
	1600	63	Q11616RT	1658	5657	£239.84	Q21616RT	2336	7973	£354.35	Q22616RT	3109	10610	£398.77
	1800	71	Q11618RT	1865	6365	£269.91	Q21618RT	2628	8969	£398.89	Q22618RT	3497	11937	£448.87
	2000	79	Q11620RT	2072	7072	£308.17	-	-	-	-	Q22620RT	3886	13263	£512.39

Nominal Height	Length		Single Convector			Double Panel Plus			Double Convector					
	mm	inch	Code	Watts	BTU/hr	List Price	Code	Watts	BTU/hr	List Price	Code	Watts	BTU/hr	List Price
700mm 28"	400	16	Q11704RT	469	1600	£84.29	Q21704RT	655	2235	£176.62	Q22704RT	877	2993	£131.20
	500	20	Q11705RT	586	2000	£88.78	Q21705RT	819	2794	£127.06	Q22705RT	1096	3741	£151.55
	600	24	Q11706RT	703	2400	£106.78	Q21706RT	982	3352	£152.85	Q22706RT	1315	4489	£172.75
	700	28	Q11707RT	820	2800	£124.78	Q21707RT	1146	3911	£175.08	Q22707RT	1534	5237	£203.79
	800	31	Q11708RT	938	3200	£136.25	Q21708RT	1310	4470	£195.52	Q22708RT	1754	5985	£233.18
	900	35	Q11709RT	1055	3600	£146.84	Q21709RT	1473	5028	£220.17	Q22709RT	1973	6733	£262.57
	1000	39	Q11710RT	1172	4000	£163.29	Q21710RT	1637	5587	£244.79	Q22710RT	2192	7481	£291.96